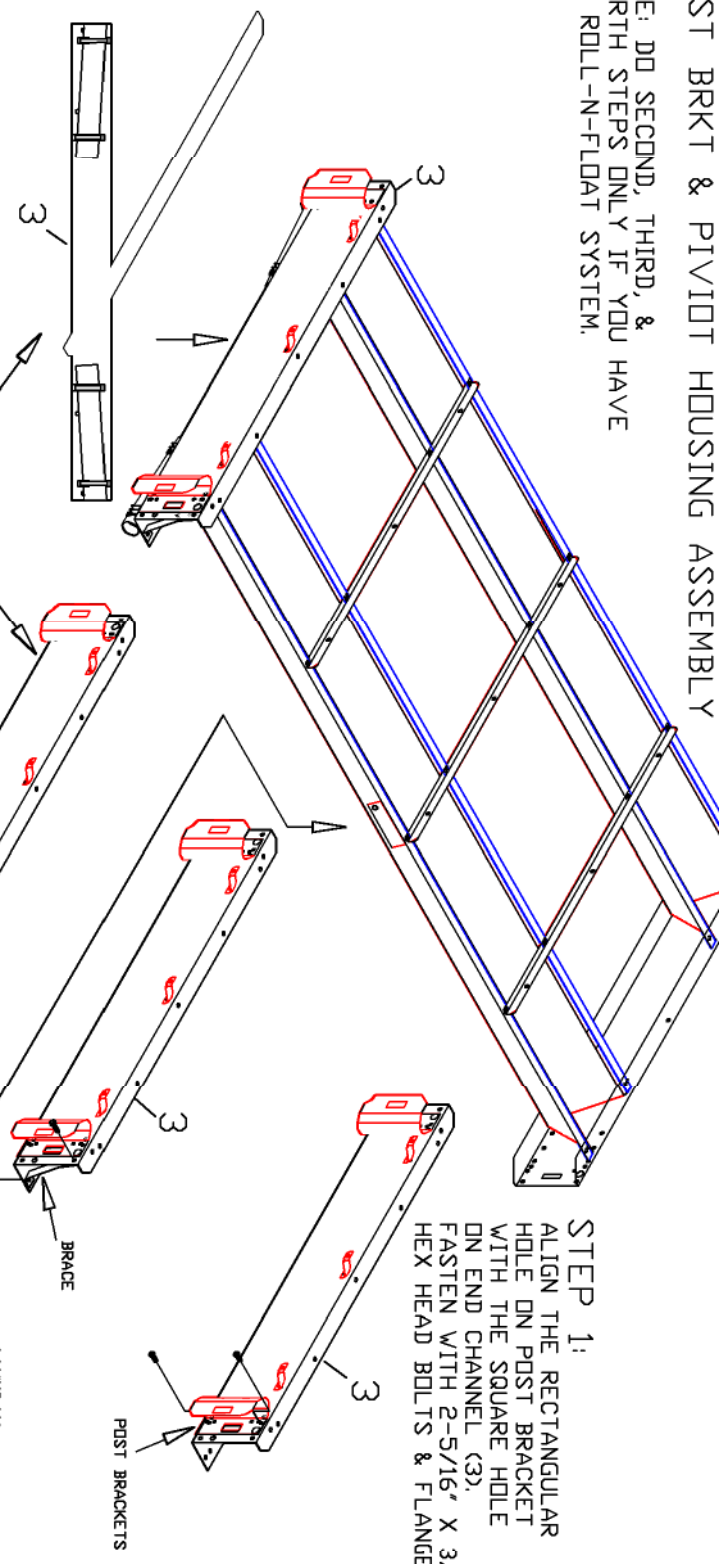


POST BRKT & PIVOT HOUSING ASSEMBLY

NOTE: DO SECOND, THIRD, & FOURTH STEPS ONLY IF YOU HAVE THE ROLL-N-FLOAT SYSTEM.



STEP 1:
ALIGN THE RECTANGULAR HOLE ON POST BRACKET WITH THE SQUARE HOLE ON END CHANNEL (3). FASTEN WITH 2-5/16" X 3/4" HEX HEAD BOLTS & FLANGE NUTS.

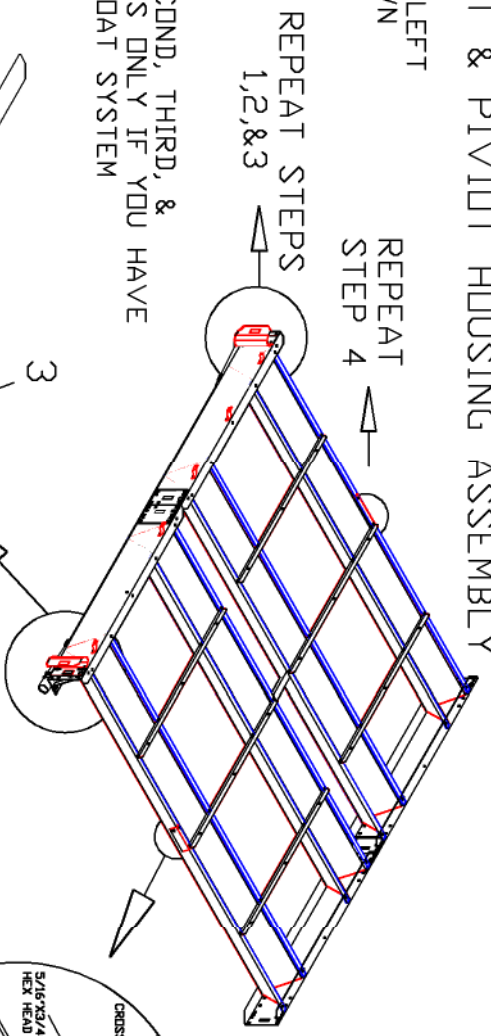
STEP 2:
PLACE BRACE ONTO FAR OUTSIDE HOLES ON END CHANNEL (3). FASTEN WITH 2-5/16" X 3/4" HEX HEAD BOLTS & FLANGE NUTS

STEP 3:
PLACE CLAMPS OVER HOUSING & SLIDE INTO BOTTOM HOLES OF END CHANNEL (3). FASTEN WITH 5/16" FLANGE NUTS. (NOTE: HAVE PIPES STICKING OUT FLUSH TO END CHANNEL 3)

STEP 4:
REMOVE THE 1/4" X 1/2" HEX HEAD BOLT FROM CROSSMEMBER & REPLACE IT WITH WITH 1/4" X 3/4" HEX HEAD BOLT THEN PLACE CHAIN MOUNT ANGLE UNDER V-BEAM & FASTEN WITH A 5/16" X 3/4" HEX HEAD BOLT, 5/16" FLANGE NUT, & A 1/4" FLANGE NUT.

POST BRKT & PIVOT HOUSING ASSEMBLY

FOR DECK L-LEFT
8' X 8' SHOWN



NOTE: DO SECOND, THIRD, & FOURTH STEPS ONLY IF YOU HAVE A ROLL-N-FLOAT SYSTEM

REPEAT STEPS 1,2,&3

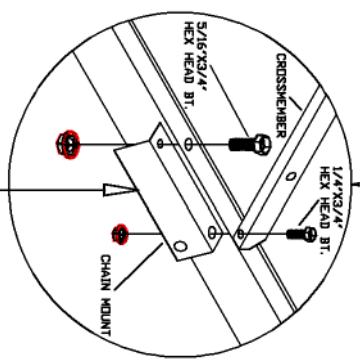
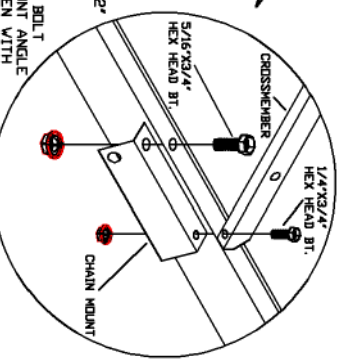
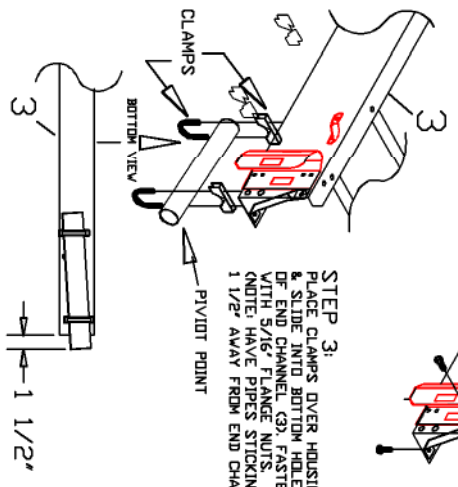
REPEAT STEP 4

STEP 4:
REMOVE THE 1/4" X 1/2" HEX HEAD BOLT FROM CROSSMEMBER & REPLACE IT WITH 1/4" X 3/4" HEX HEAD BOLT THEN PLACE CHAIN MOUNT ANGLE UNDER V-BEAM & FASTEN WITH A 5/16" X 3/4" HEX HEAD BOLT, A 5/16" FLANGE NUT, & A 1/4" FLANGE NUT.

STEP 1:
ALIGN RECTANGULAR HOLE ON POST BRACKET WITH RECTANGULAR HOLE ON END CHANNEL (3). FASTEN WITH 2-5/16" X 3/4" HEX HEAD BOLTS & FLANGE NUTS.

STEP 2:
PLACE BRACE DWTD FAR OUTSIDE HOLES ON END CHANNEL (3). FASTEN WITH 2-5/16" X 3/4" HEX HEAD BOLTS & FLANGE NUTS.

STEP 3:
PLACE CLAMPS OVER HOUSING & SECURE TO BOTTOM HOLES OF END CHANNEL (3). FASTEN WITH 5/16" FLANGE NUTS (NOTE: HAVE PIPES STICKING OUT 1/2" AWAY FROM END CHANNEL(3)).



INCORRECT POSITIONING OF CHAIN MOUNT