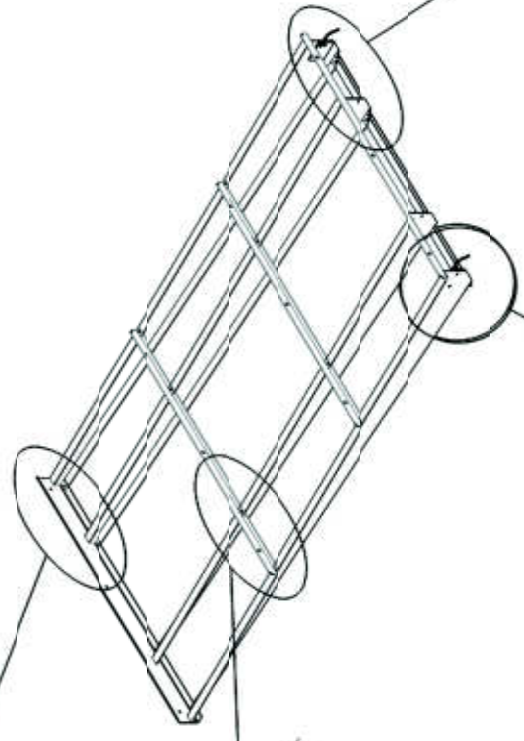
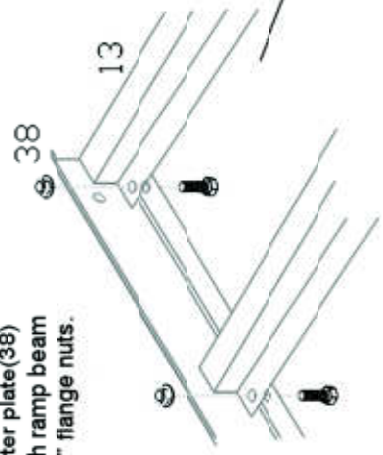


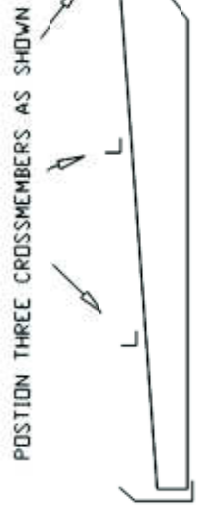
Install Bolts as Shown & Leave the Bolts Loose for Now



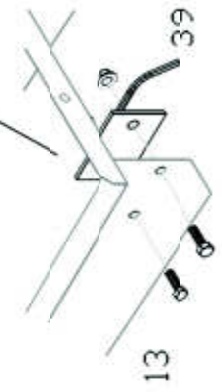
Insert four 1/4" x 1/2" hex head bolts through the bottom of starter plate (38) and up through ramp beam (13) using 1/4" flange nuts.



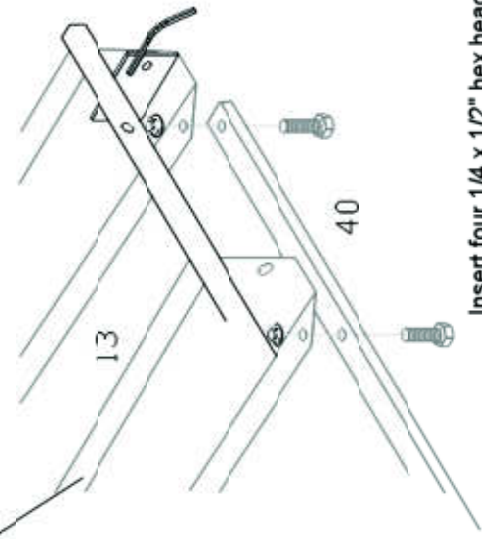
Insert twelve 1/4" x 1/2" hex head bolts through the top of the crossmember (20) & through ramp beam (13) using 1/4" flange nuts.
Note: the orientation of the crossmember (20)



Insert four 5/16" x 3/4" hex head bolts through ramp beam (13) & through ramp pin (39). Attach using 5/16" flange nuts.



WEAR SAFETY GLASSES, GLOVES & PROTECTIVE CLOTHING REQUIRED TOOLS FOR ASSEMBLY 1. PHILIPS SCREW DRIVER (MEDIUM) 2. SOCKET WRENCH 1-7/16" 3. SOCKET WRENCH 1-1/2"	
HARDWARE DESCRIPTION & SIZING CHART	
(1/4" dia) 1 1/2" LG. CARRIAGE BOLT FLANGE NUT HEX HEAD BOLT	(5/16" dia) FLANGE NUT 3/4" LG. HEX HEAD BOLT

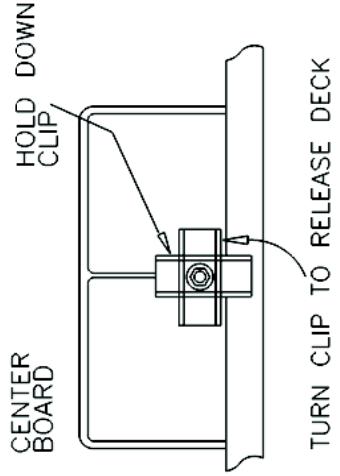


Insert four 1/4 x 1/2" hex head bolts through the bottom support (40) & through ramp beam (13) attach with 1/4" flange nuts

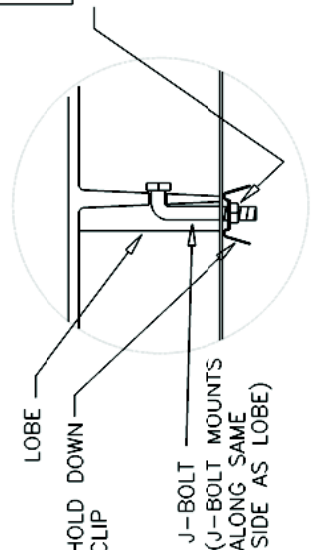
Do Not Tighten Any Bolts Until the Decking is Installed and Secured !

To Watch the Video on You Tube Just Give Us a Call at 651-464-3902 & We Will Send You the Link to Watch It.

STEP 2: FASTEN 2 J-BOLTS SETUPS PER PANEL AS SHOWN BOTTOM VIEW

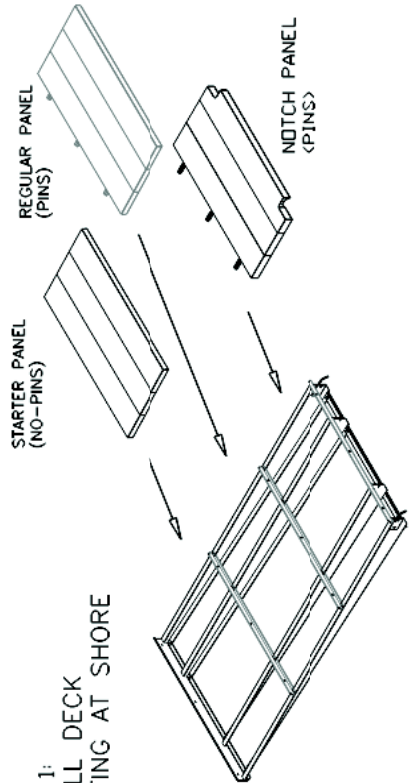


SIDE VIEW



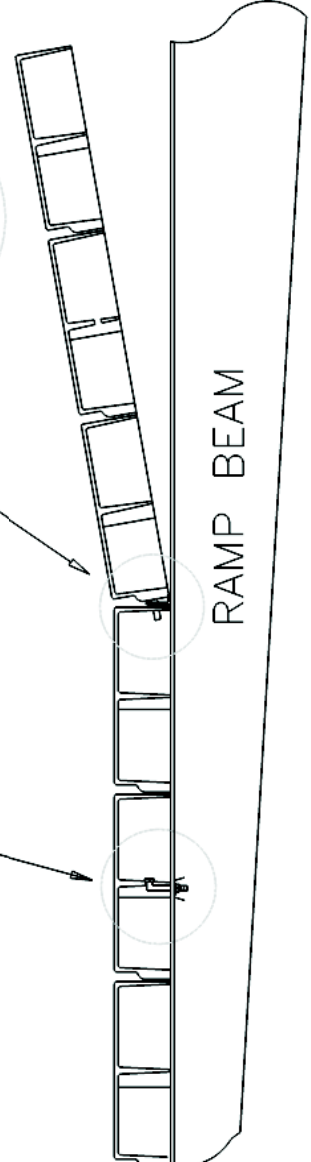
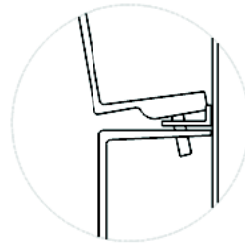
MODEL 6'-RAMP ALUMINUM
PANEL INSTALLATION INSTRUCTION

STEP 1:
INSTALL DECK
STARTING AT SHORE
END



(NOTE: SQUARE UP THE RAMP FRAME BEFORE INSTALLING PANELS, FOR A EASIER FIT.)

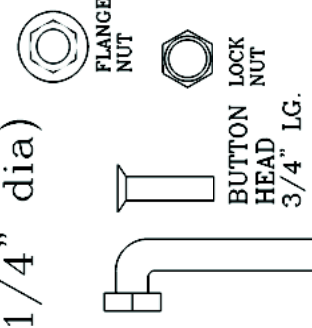
1/4" LOCK NUT (TIGHTEN LOCK NUT UNTIL DECK & RAMP BEAM MAKE CONTACT. THEN TIGHTEN 1/4-1/2 TURN)



WEAR SAFETY GLASSES, GLOVES & PROTECTIVE CLOTHING
REQUIRED TOOLS FOR ASSEMBLY
1. PHILIPS SCREW DRIVER (MEDIUM)
2. SOCKET WRENCH 1-7/16"

HARDWARE DESCRIPTION

(1/4" dia)

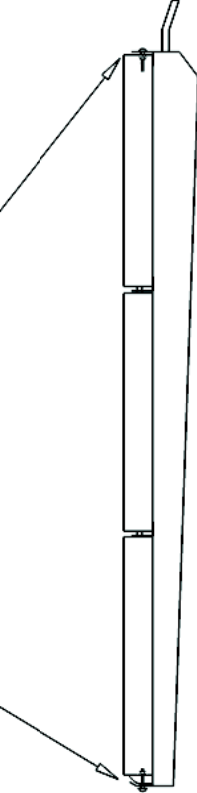


J-BOLT

HOLD DOWN CLIP

STEP 3: SECURING PANELS

TO SECURE PANELS INSERT THREE 1/4" X 1 1/2" CARRIAGE BOLTS ON EACH END OF THE RAMP AND TIGHTEN WITH 1/4" FLANGE NUTS



SHORE END

© Copyright 1993 R&D Manufacturing

