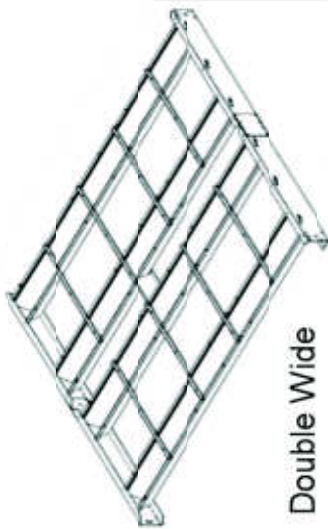




Tie Plate Instructions

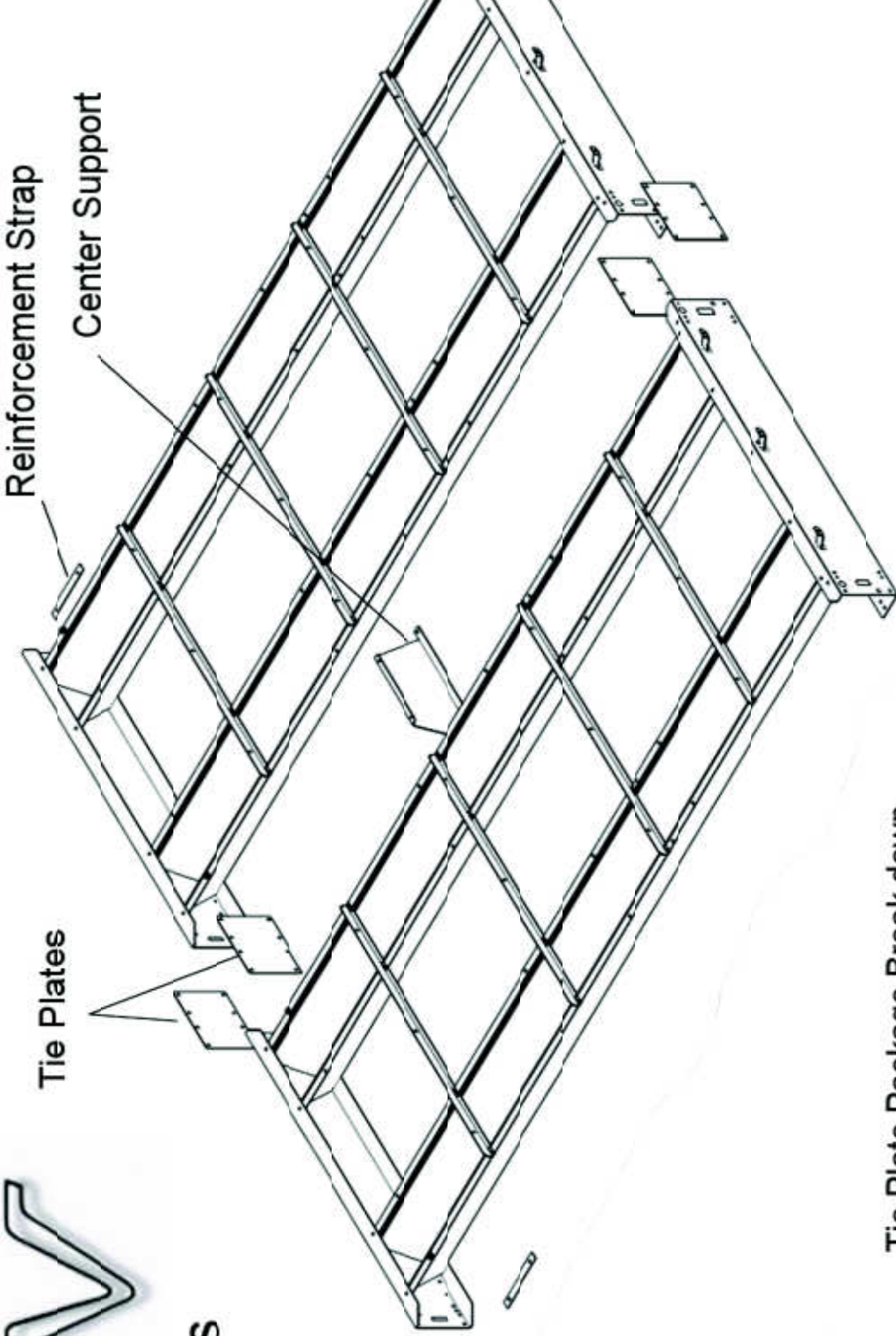
Marries two identical sections together



Double Wide



Triple Wide



Tie Plate Package Break down

1/4x3/4" Hex Head Bolt & Flange Nut



(sizing chart)

5/16x1" Hex Head Bolt, Washer & Nut



(sizing chart)

3/8x1 1/2" Hex Head Bolt & Flange Nut



(sizing chart)

Center Support



1

Tie Plate



4

Reinforcement Strap



2

Double Wide 2 ea.

2 ea.

16 ea.

Triple Wide 4 ea.

4 ea.

32 ea.

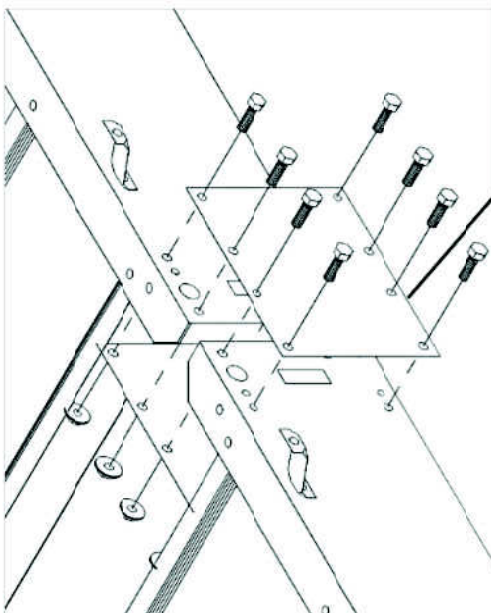
1

8

2

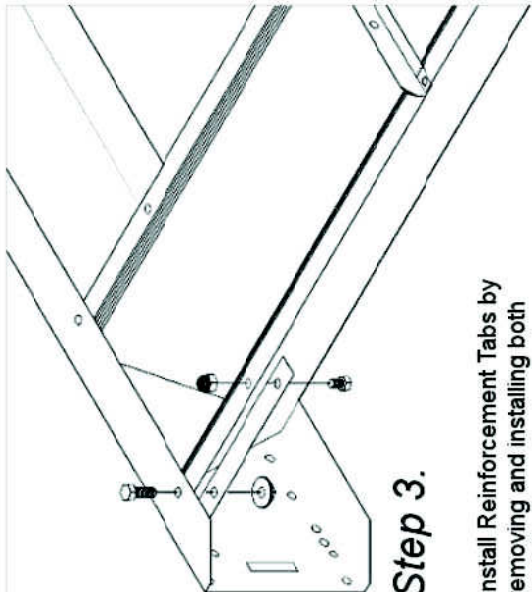


Tie Plate Instructions



Step 2.

Align the two identical sections side-by-side. Using (2) tie plates fasten sections together by using (8) 3/8" x 1 1/2" hex head bolts and flange nuts as shown. Repeat this on the opposite side.



Step 3.

Install Reinforcement Tabs by removing and installing both 5/16" bolts and nuts as shown repeat this on the other side.

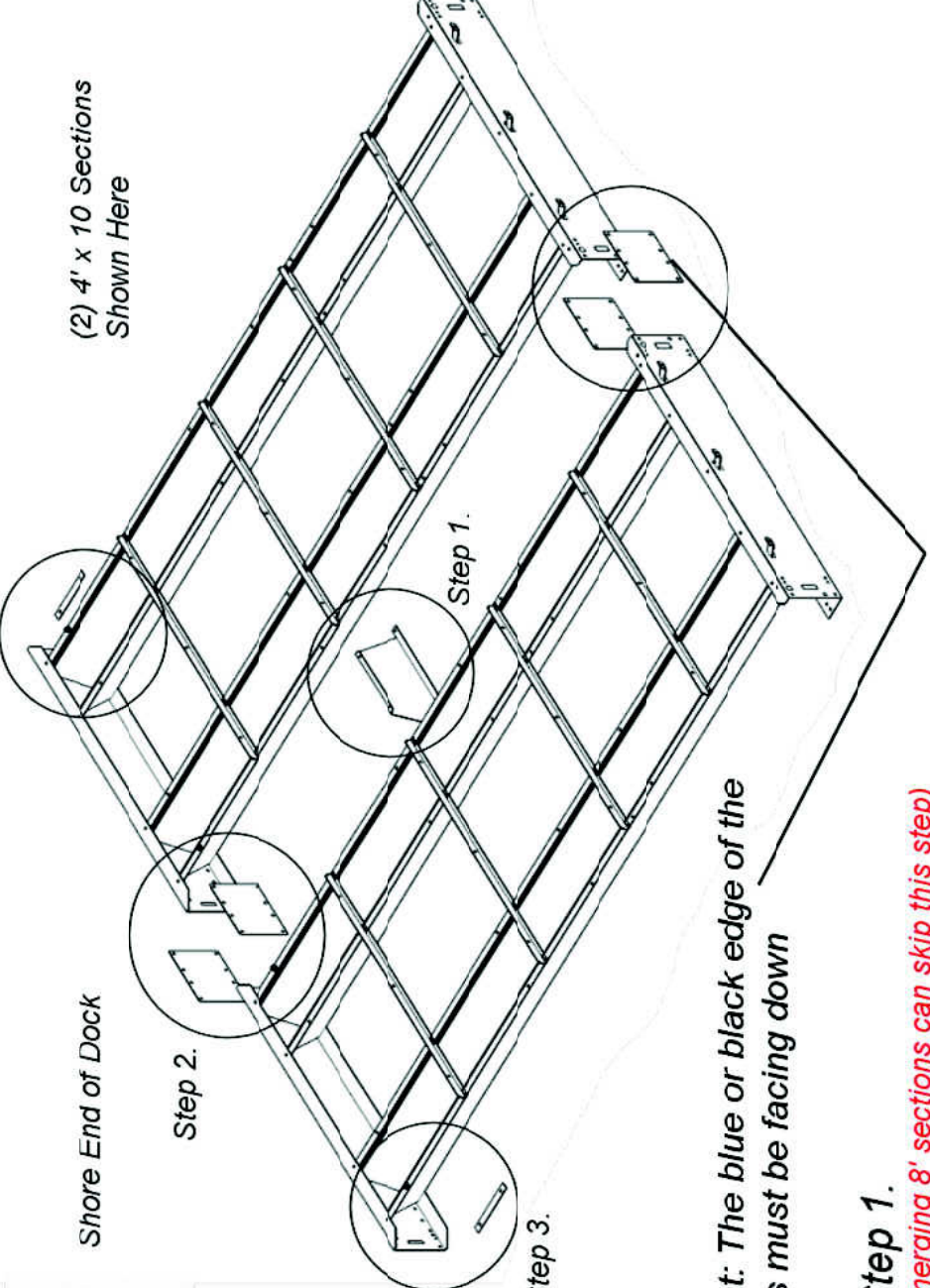
Shore End of Dock

Step 2.

Step 1.

Step 3.

(2) 4' x 10 Sections Shown Here



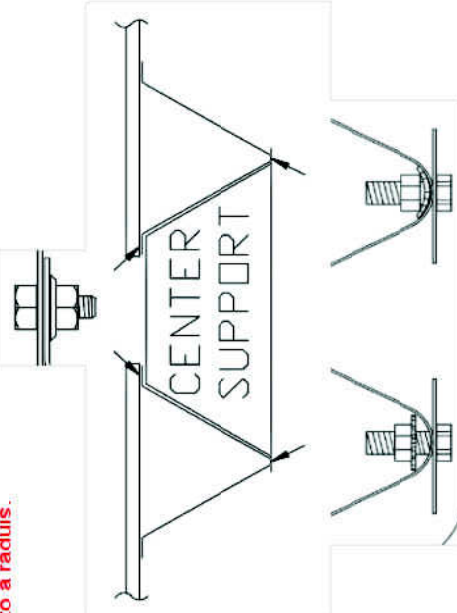
Important: The blue or black edge of the tie plates must be facing down

Step 1.

(merging 8' sections can skip this step)

Install the center support by removing (2) 1/4" x 3/4" hex head bolts and flange nuts. Then reinstall the center support with (2) 1/4 x 3/4" hex head bolts and flange nuts. On the bottom portion of the center support install to 5/16" x 1" hex head bolts washer and nut as shown.

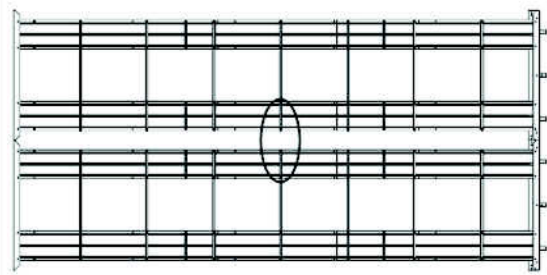
When tighten the bottom washers will conform to a radius.



(Shore End of Dock)

16' Sections

10' Sections



= Location of Center Support