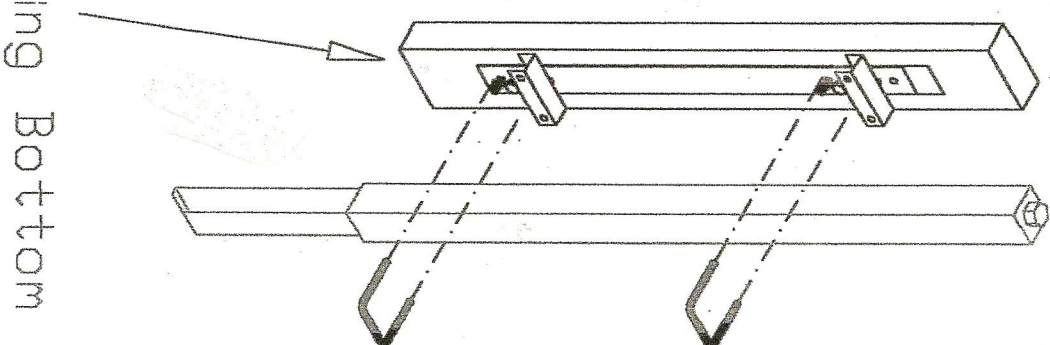
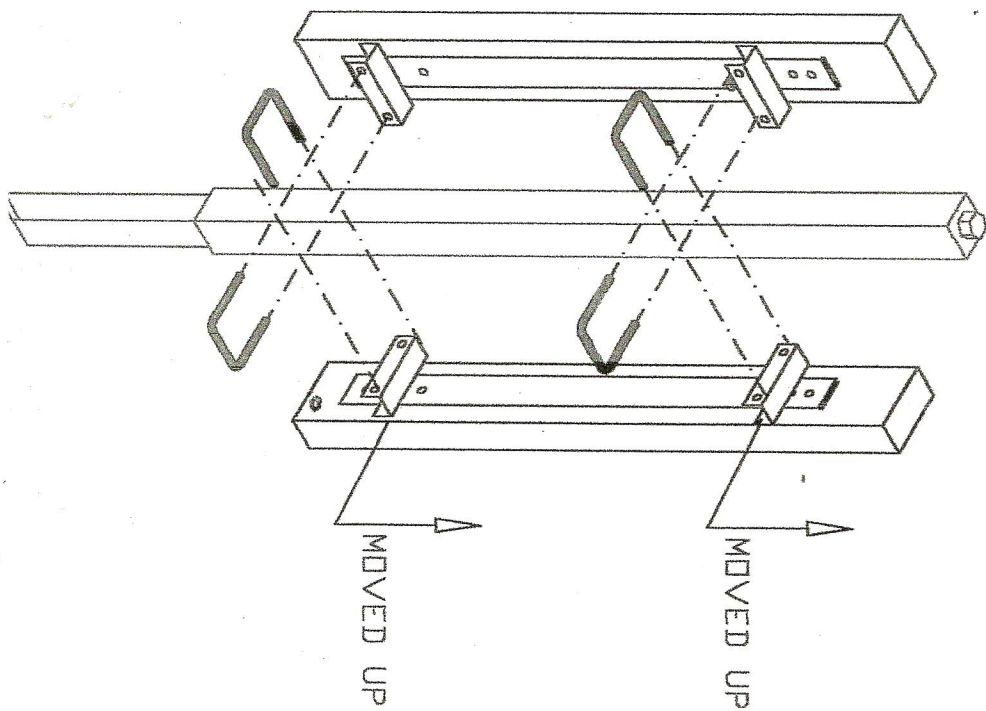


# VERTICAL BUMPER FOR WHEEL ASSY.

STEP 2: PLACE 2 UBOLTS  
AROUND LEG &  
FASTEN TO DESIRED  
HEIGHT USING  
5/16" FLANGE



TO MAKE A CORNER BUMPER  
ADD ANOTHER BUMPER AS  
SHOWN THE SECOND BUMPER  
WOULD HAVE BRACKETS MOVED  
UP ONE HOLE.



Hole Facing Bottom

