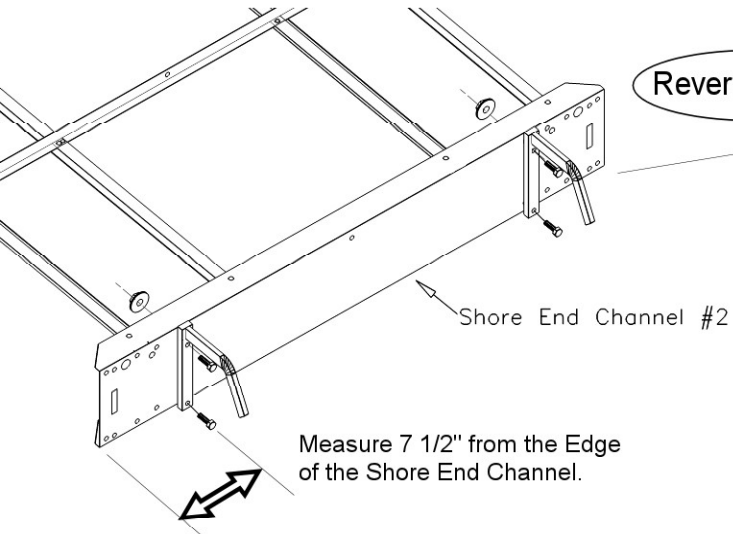




Hanger Instructions



Measure 7 1/2" from the edge of the shore end channel and fasten hangers using (2) 5/16" x 1" hex head bolts and flange nuts as shown.

Step 3.
Scan for Video Overview

